

Installation instructions for PZ4AL- 01159- 00

Toyota Hilux

Under run protective shield for transmission case



Model Year: 2007-

Vehicle Code: KUN15L - * -W

Part Number: PZ4AL-01159-00



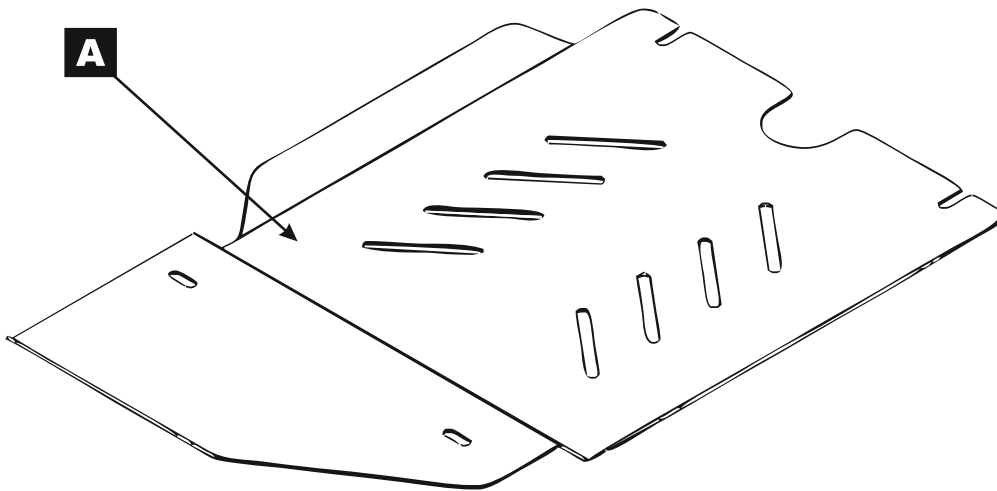
Weight: 10.5 kg



Installation Time: 20 min

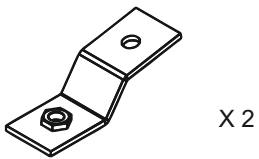
Manual reference number: AIM 001 428-0

Part number: PZ4AL-01159-00



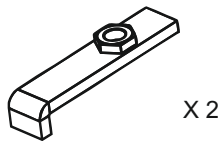
PZ4AL-01159-00

B



X 2

C



X 2

D1



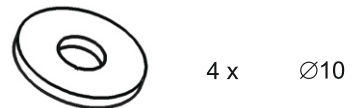
2 x M 10x20

D2

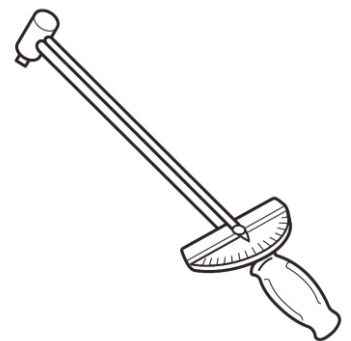
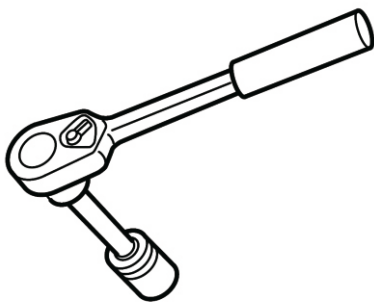


2 x M 10x70

E



4 x Ø10



Part number:
PZ4AL-01159-00

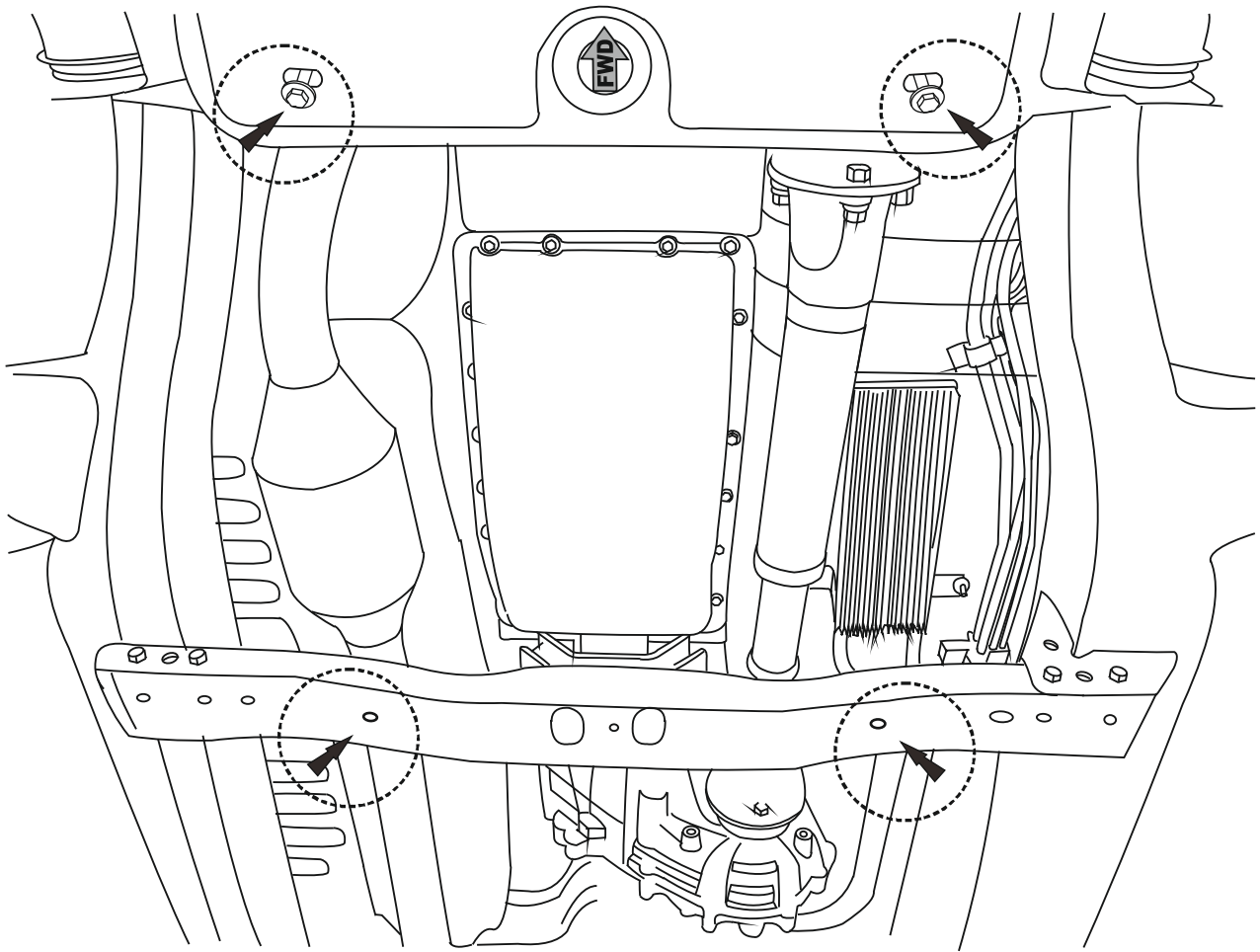
Issue:
0

Date:
11/11/08

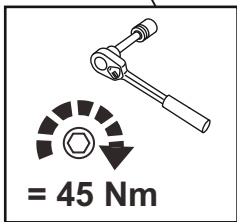
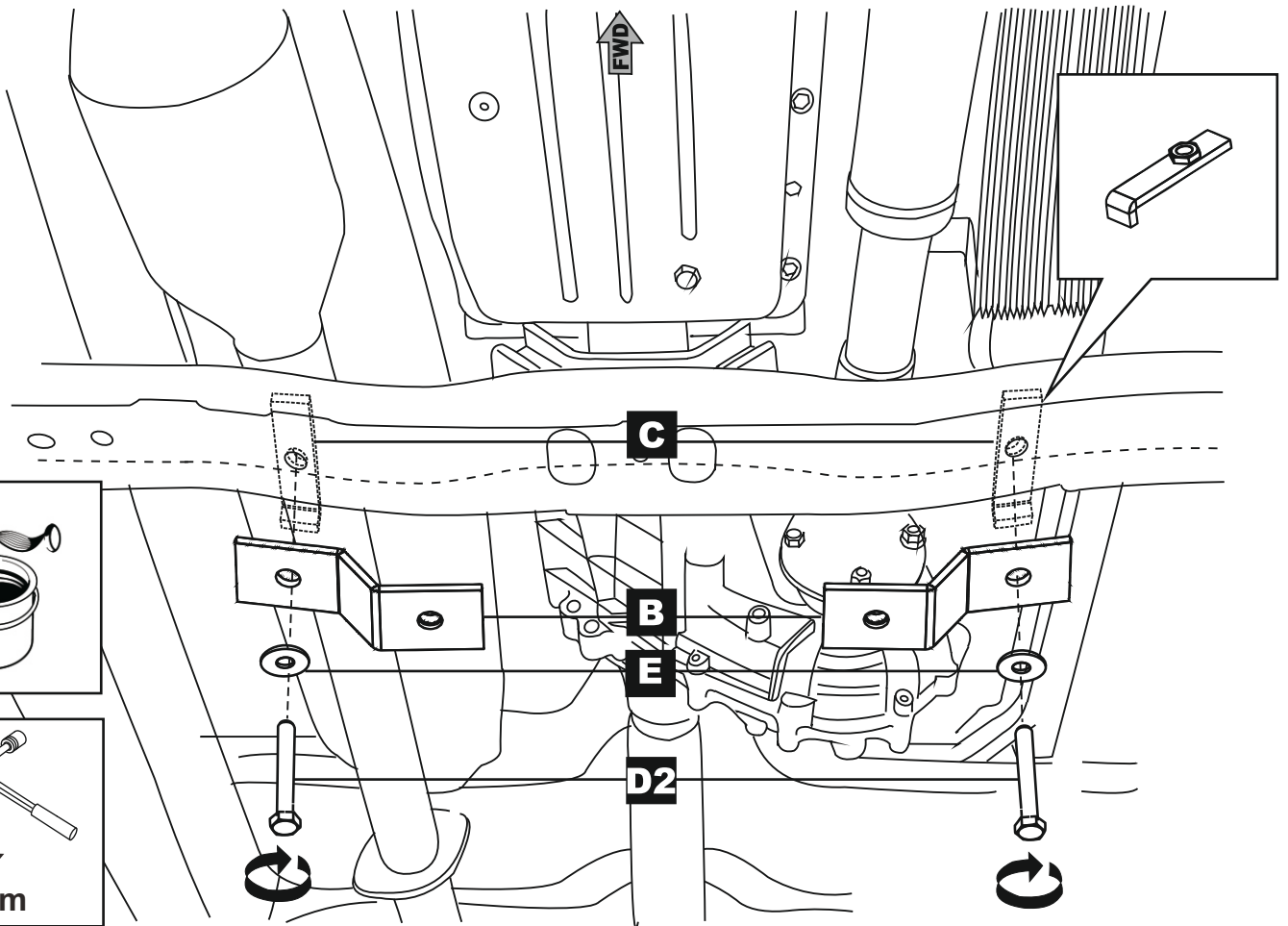
Manual reference number:
AIM 001 428-0

Page:
2/4

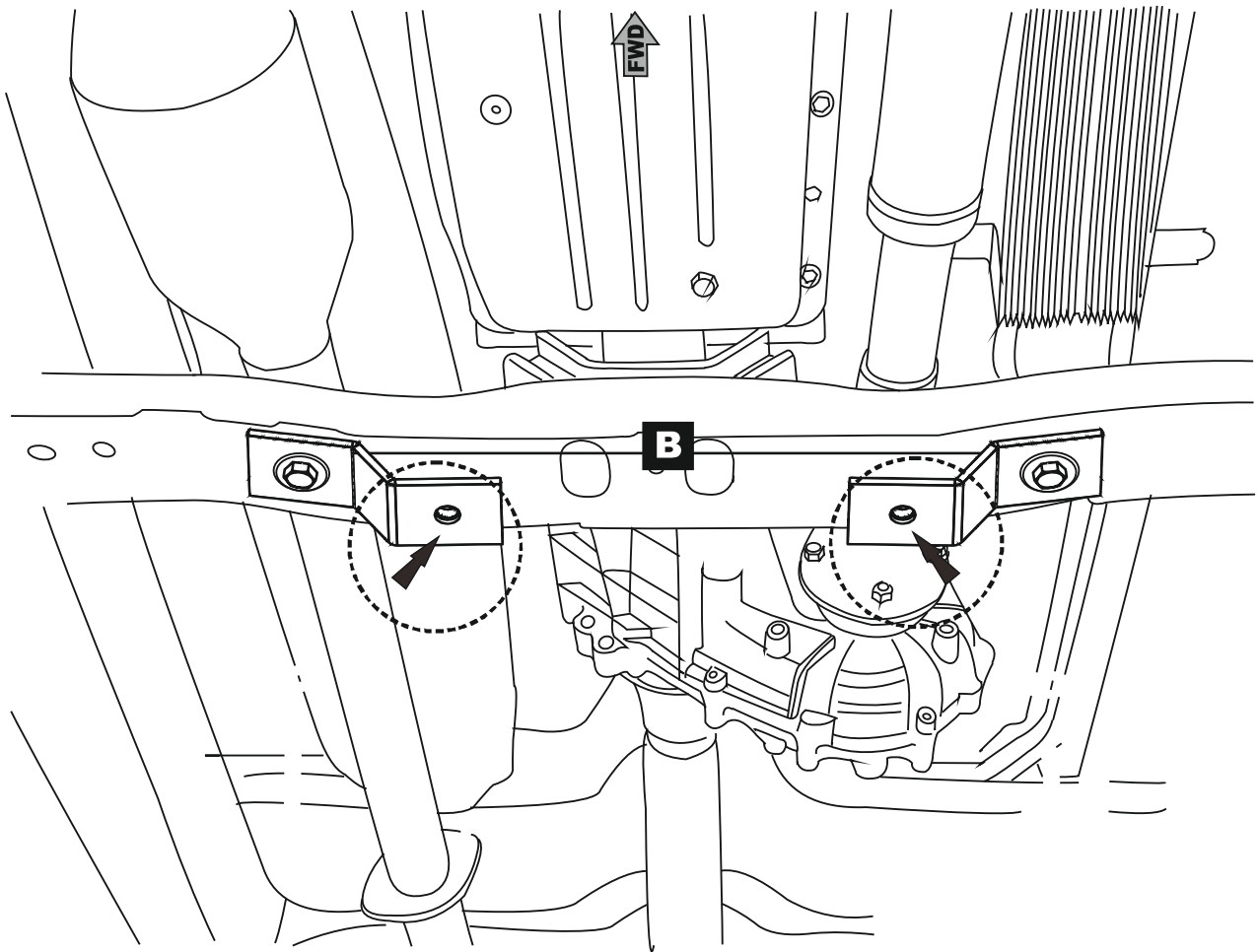
1



2



3



4

