

# Installation instructions for PZ4AL- 01160- 00

## Toyota Hilux

### Under run protective shield for transmission case



Model Year: 2007-

Vehicle Code: KUN15L - \* -W

Part Number: PZ4AL-01160-00



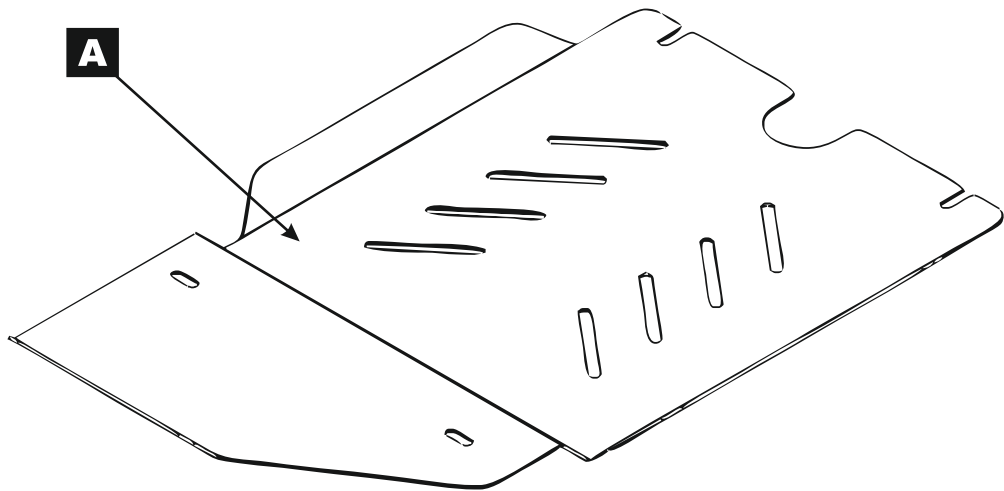
Weight: 6.4 kg



Installation Time: 20 min

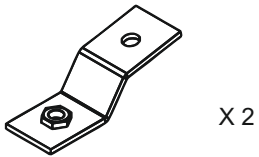
Manual reference number:

Part number: PZ4AL-01160-00

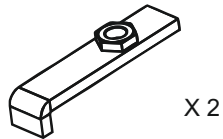


PZ4AL-01160-00

**B**



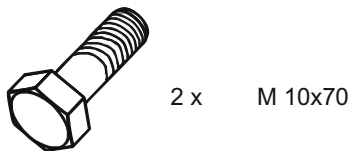
**C**



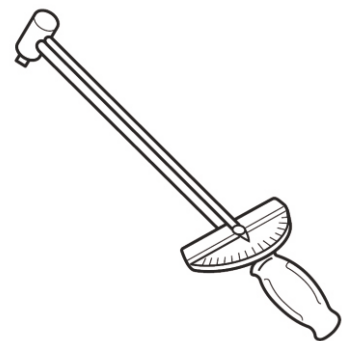
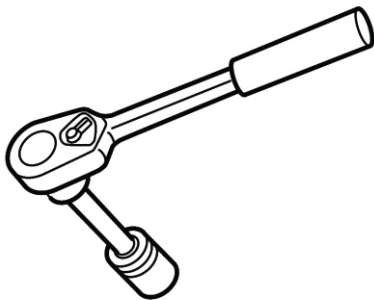
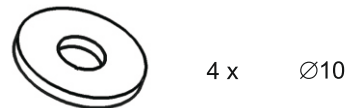
**D1**



**D2**



**E**



Part number:  
PZ4AL-01160-00

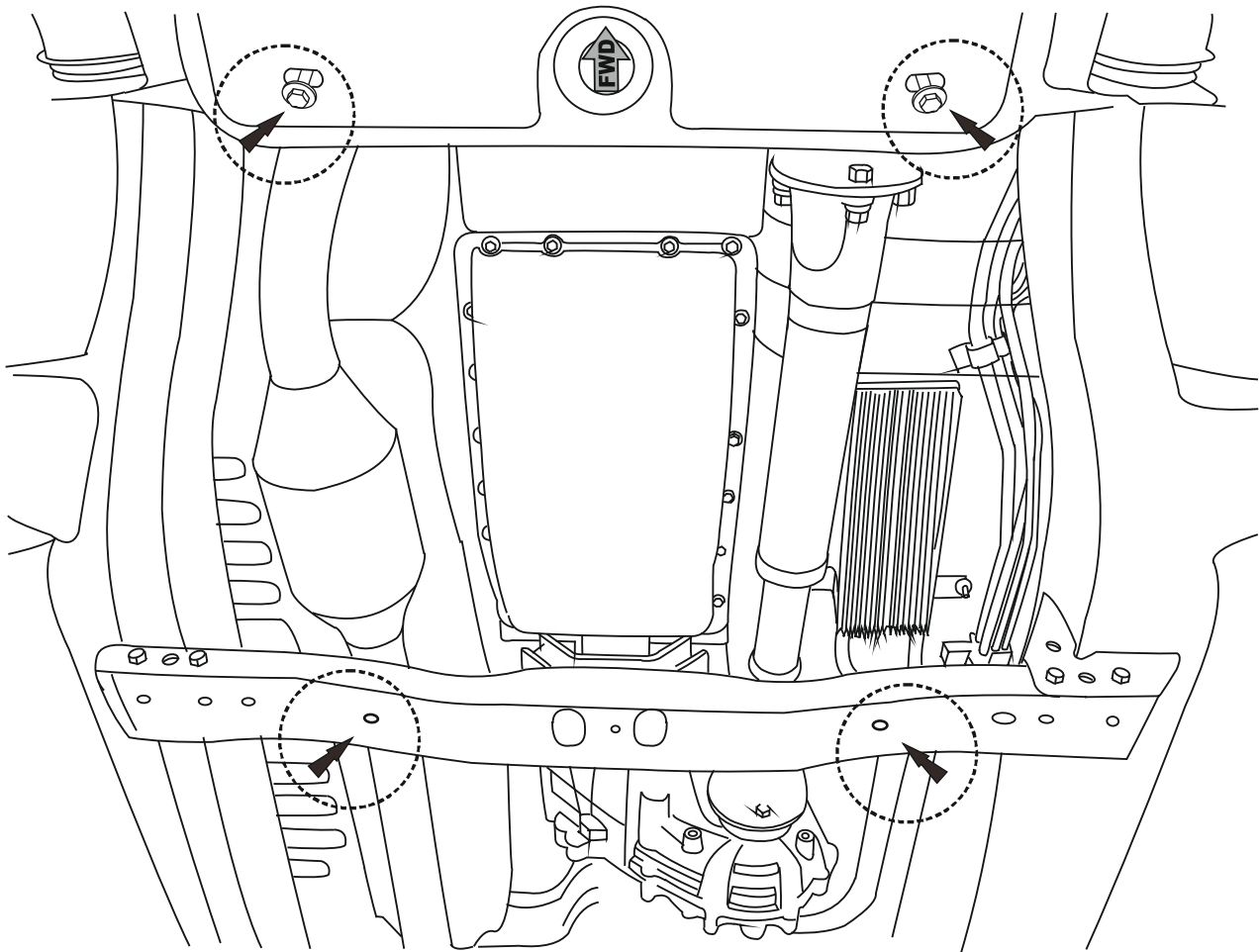
Issue:  
0

Date:  
11/11/08

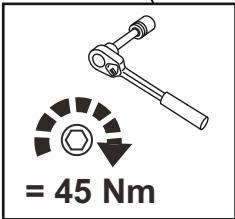
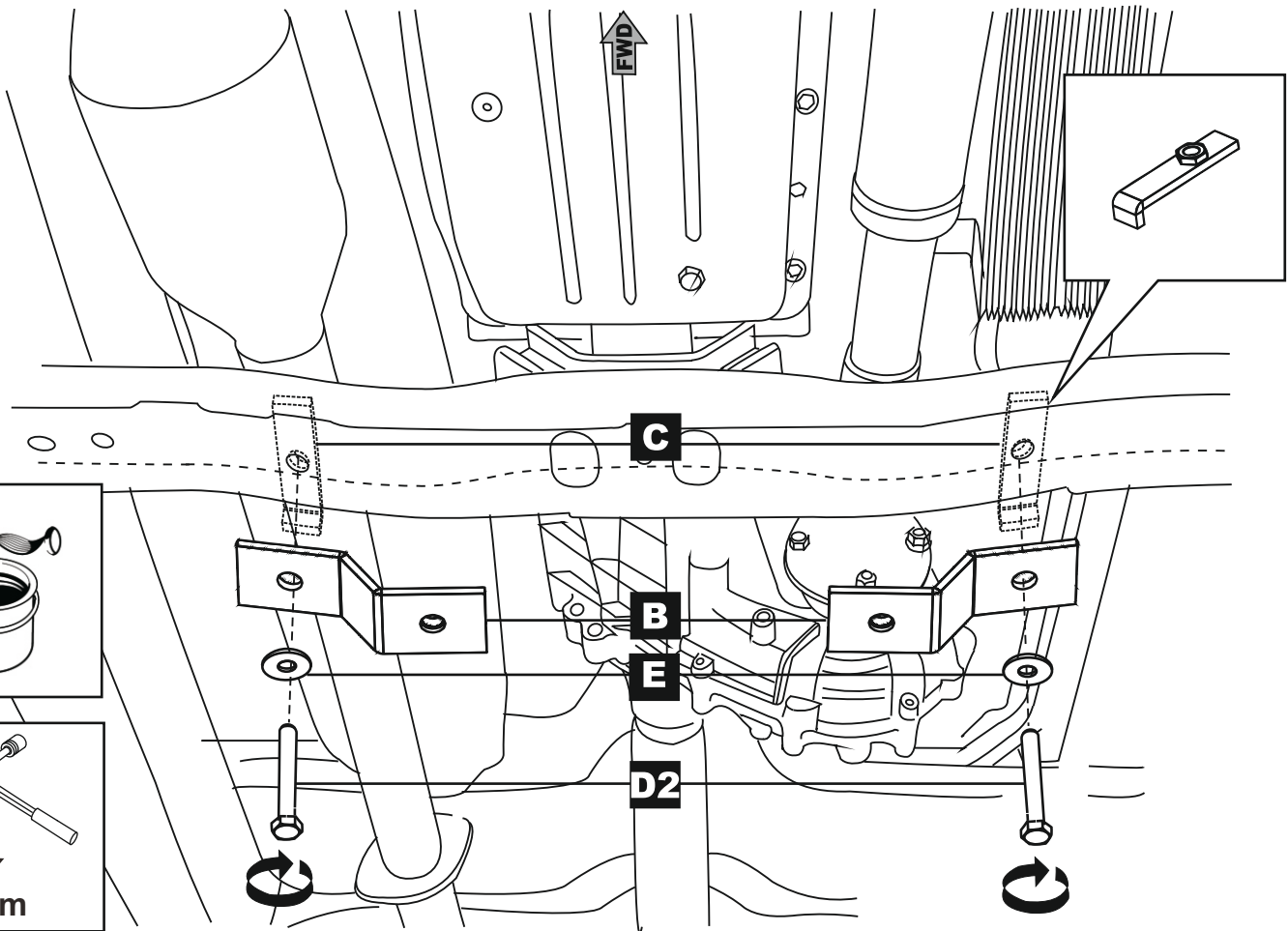
Manual reference number:

Page:  
2/4

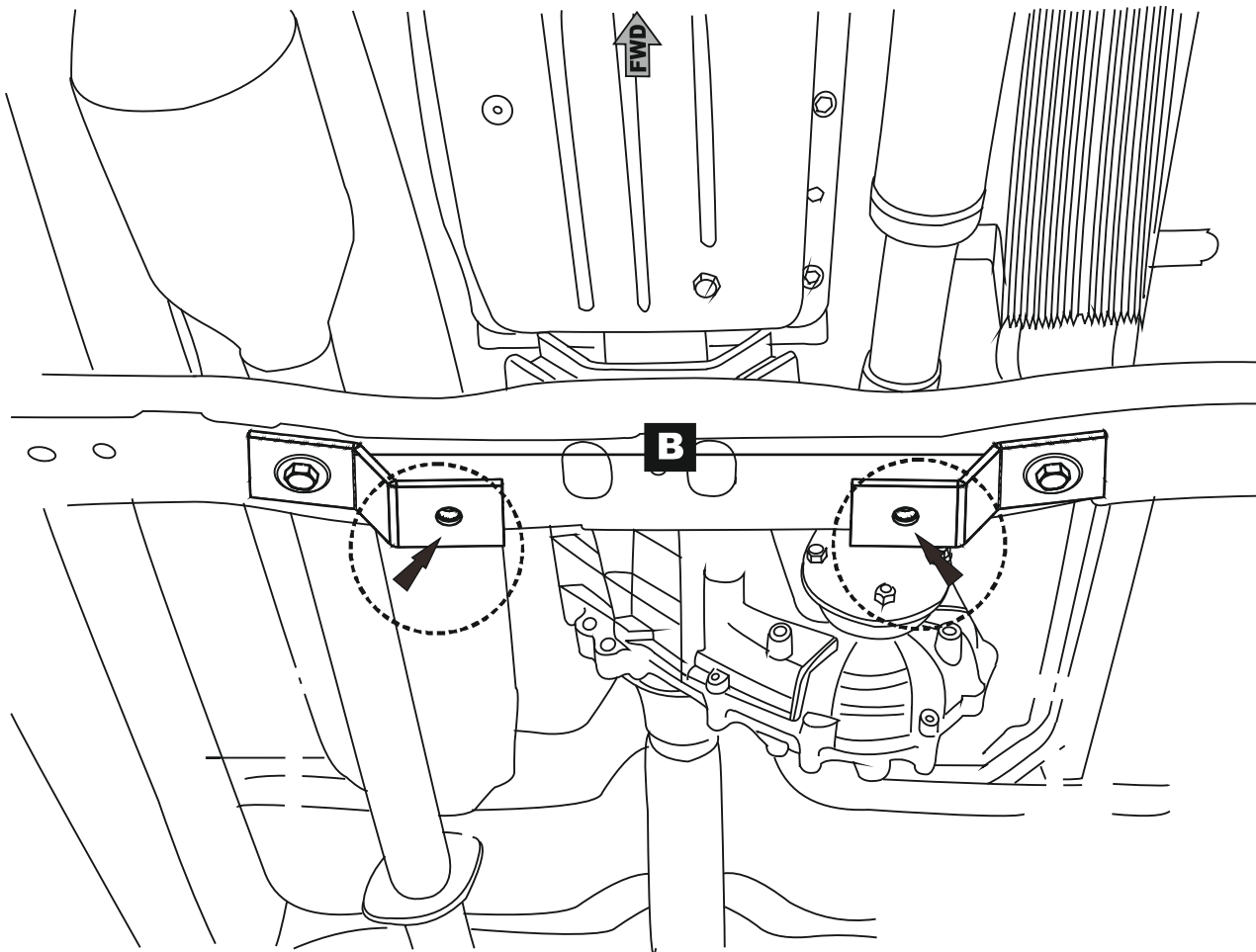
**1**



**2**



3



4

